

Med Scribe Pro

Team Members:

- Alijawaad Dewji
- Joshua Weil
- Mohammed Alzahrani
- Sultan Almotairi

Faculty Sponsor: Dr. Philip Bernhard

Website: <http://www.medscribepro.com>



Progress Matrix (Milestone 3)

Task	Completion	Alijawaad	Joshua	Mohammed	Sultan
Complete Registration for Users collecting info for database	100%	40%	10%	40%	10%
Create Website Front End for Each User Group	80%	0%	40%	0%	40%
Build the Prescription Forms	100%	40%	10%	40%	10%



Milestone 3 Progress

- 1.) Created the forms to collect information about patients, doctors, and pharmacists. Tested and working with the tables that were created in the database during milestone 2.*
- 2.) HTML/PHP front ends were created using the Requirements Document as a reference.*
- 3.) The Prescription Forms have been built.*



New Challenges

1.) *Encountered a Bug in the Registration Script created in milestone*

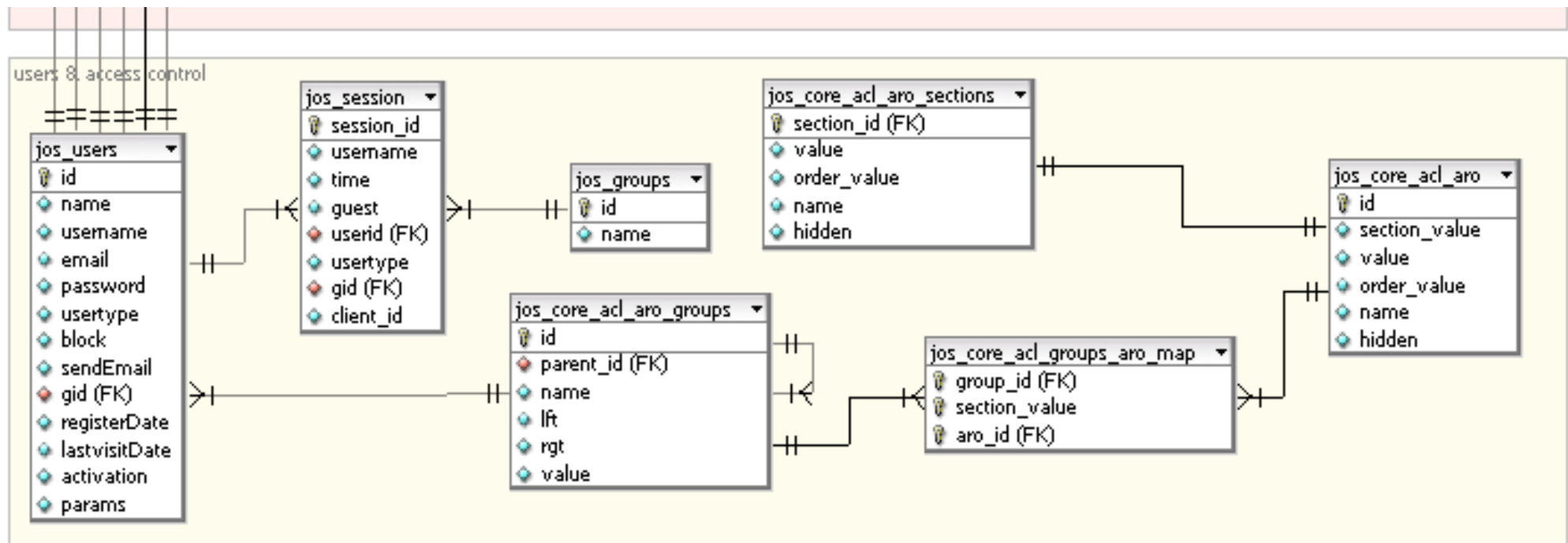
2.) *We needed to modify more than one table. This problem has since been solved.*

3.) *User Front Ends do not work properly using the Joomla content management system. We created the user menus and also created mock ups until we fix the problem.*

4.) *The Joomla code is not built for multiple user types. We are modifying the core of the code and testing as we make changes, this is making some standard tasks very difficult.*



Joomla Schema – users & access control



Future Work

- *Overcome the new challenges in Joomla Front End. Because Joomla was not designed for multiple levels of User Groups.*
- *If we cannot find a suitable solution we will need to look into alternative Content Management Systems such as Drupal that may be a more suitable solution.*
- *When we return in the fall we plan to be caught up and ready to implement the core functionality of this project.*
- *This mainly consists of organizing multiple prescriptions and managing Electronic Medical Records.*
- *Additional Work may be completed as time allows.*



What Can We Show You?

Demo!

Lets See Some Forms in Action!

